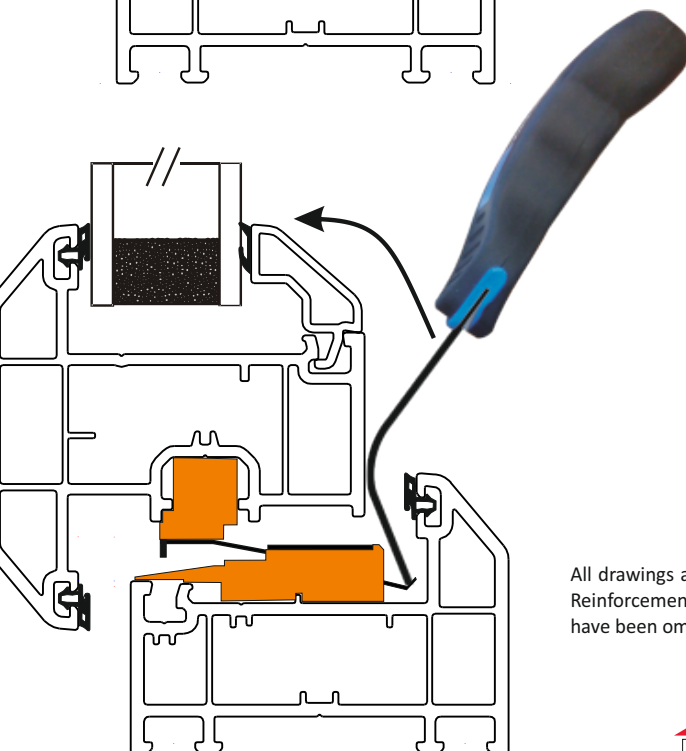
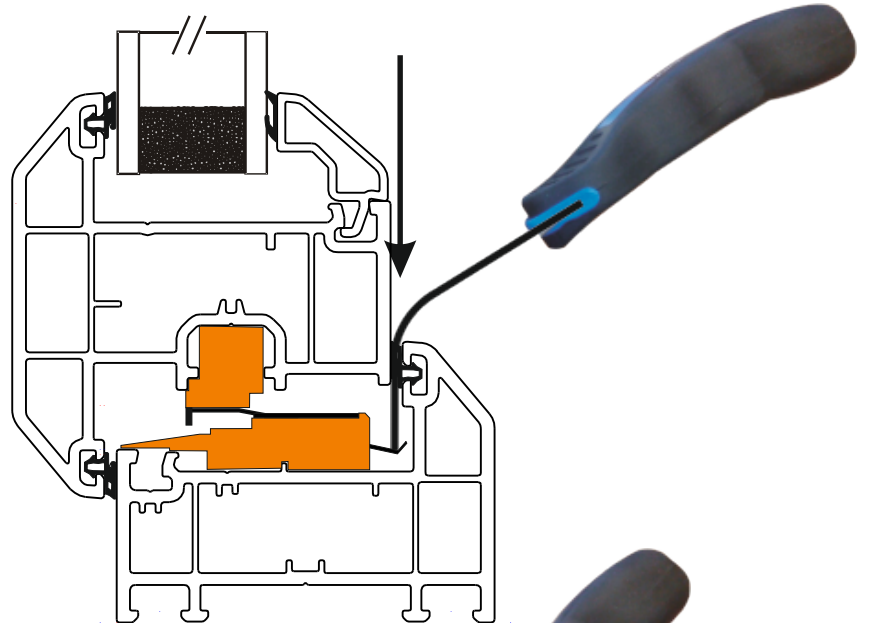
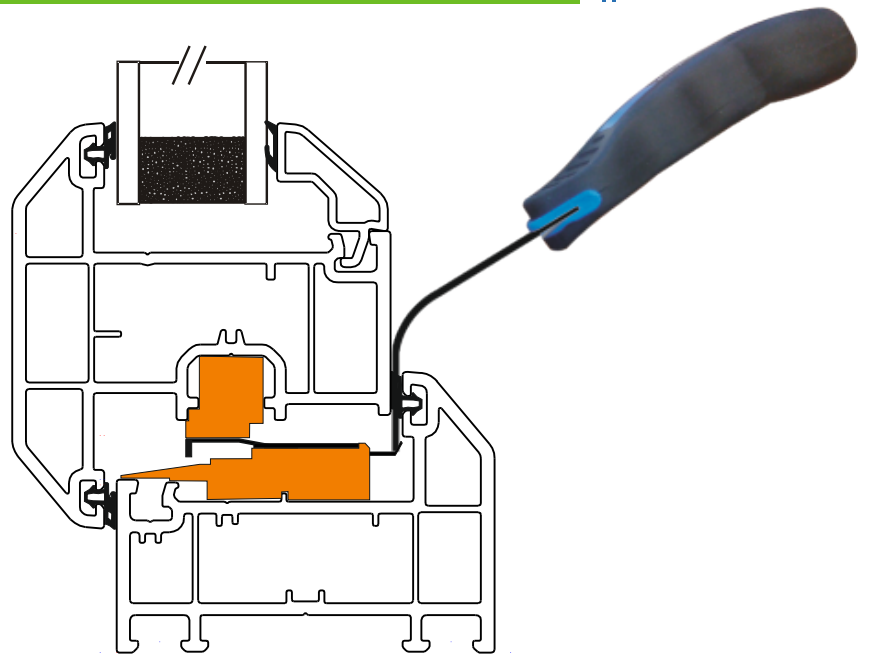
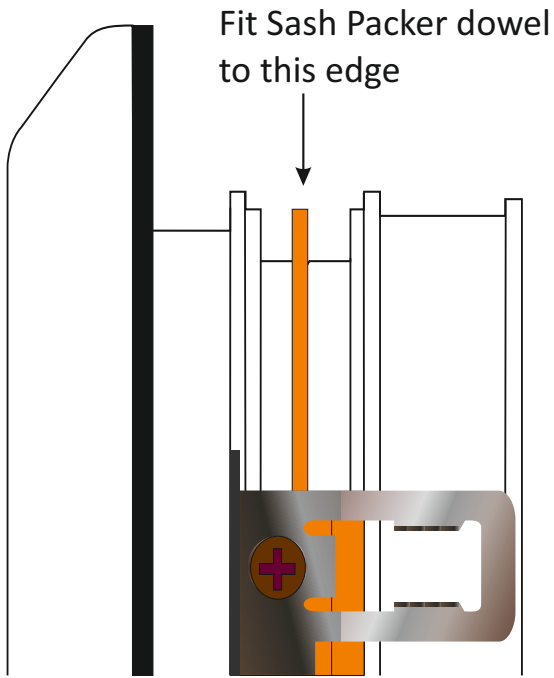


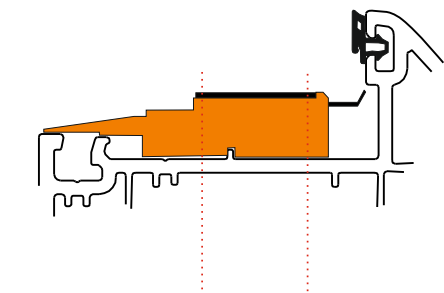
Deceuninck 2500

(Part No. DSP05B)

deceuninck
approved



Screw centres



Drawings are not to scale

Reinforcing and fixing screws
have been omitted for clarity

All drawings are not to scale
Reinforcement and fixings
have been omitted for clarity



Patent No. GB2445676B

